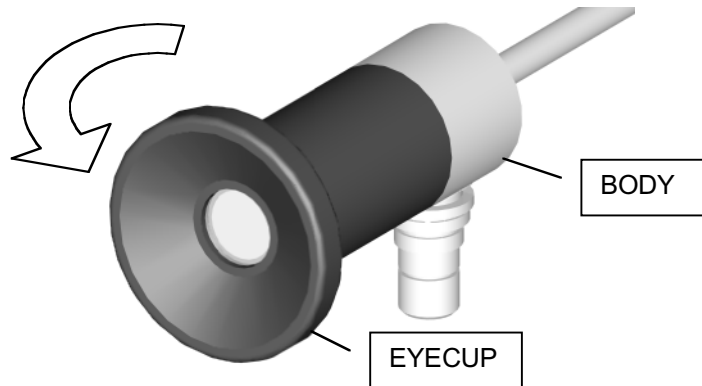
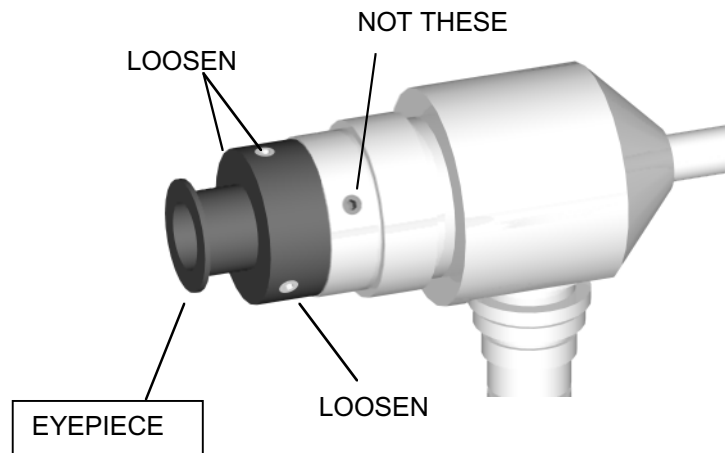


Focusing Procedure for Hawkeye® Borescopes with Non-Adjustable Eyecups.

- 1/ Remove Eyecup:
Unscrew **EYECUP** and remove from **BODY** of borescope.



- 2/ Free Eyepiece:
Using the supplied .035 hex-key, loosen the three set-screws nearest to the end of the **EYEPiece** about turn each. These are in the black part, NOT in the **BODY**.



- 3/ Set Focus:
While looking through the scope, carefully move the **EYEPiece** in or out as needed to achieve best focus. Then tighten the three set screws snugly, but not too hard. Then replace the **EYECUP**. (Note: The scribed mark on the **EYEPiece** shows the factory focus setting.)

